



## GroundTuff® Urban

GroundTuff Urban offer a lightweight yet durable and reliable temporary ground protection solution, with a load capacity of up to 35 tonnes\*.

Manufactured from 100% recyclable High-Density Polyethylene (HDPE), each mat measures 1100mm x 2400mm in size, 8mm thick. Mats are designed with a 4-bar chequered plate side and a smooth surface side.

The chequered plate surface provides the benefits of anti-slip properties, minimising risks of slips, trips and falls, and feature the opportunity for wheeled access, great for wheelchairs, trolleys and pushchairs.

GroundTuff Urban features integrated handles for quick, seamless lifting and positioning, providing an efficient layout solution, supporting the needs of project demands and deadlines.

Each mat also features corner and side holes, designed for use with our two-way or four-way connectors. These securely attach the mats, allowing the creation of custom-sized spaces, roadways, or larger flooring areas.

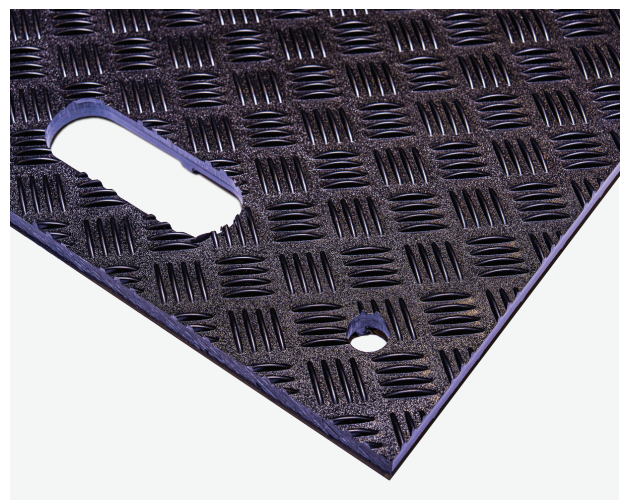
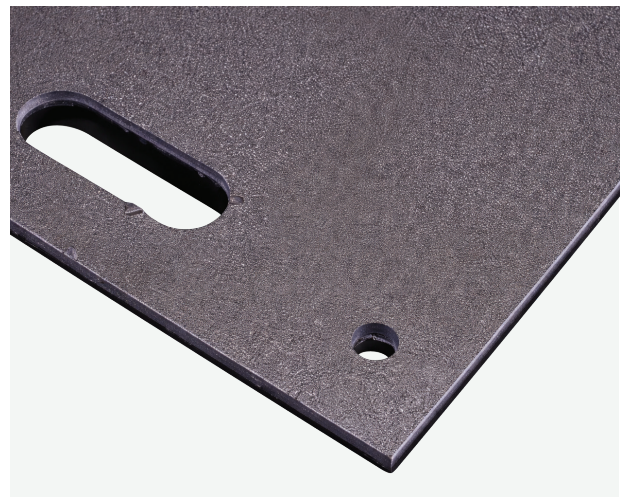
\*Load bearing capacity is dependent on ground conditions and load characteristics

### Features

- ◆ **Typical applications:** Perfect for a wide range of applications, including pedestrian walkways, groundwork cover, construction sites, industrial flooring, utilities and infrastructure maintenance, temporary roadways and parking solutions, festival and outdoor event flooring (including markets, trade shows, outdoor recreation, sports events, outdoor weddings, special events, camping and outdoor stages), lawn and landscape protection, kerb, tarmac and block paving protection, heritage sites and eco-sensitive areas, sports field and golf course maintenance, emergency response and disaster recovery, and military and defence operations.
- ◆ **Material:** 100% recyclable High-Density Polyethylene (HDPE).
- ◆ **Cleaning:** Using a stiff brush will usually remove most dirt and debris. For more stubborn dirt, a pressure washer can be used.
- ◆ **Sustainability:** REACH.



For more information about this product or, to place an order [click here](#)  
Please note, the ground beneath the matting must be structurally sound and free from significant depressions, such as potholes, as these can cause the matting to crack or become damaged.



### Our delivery promise

We guarantee your order will be shipped on time, every time.  
That's the Blue Diamond difference.

V1.04.26

### Get in touch

+44 (0) 1779 841 899  
sales@bluediamond.uk.com  
www.bluediamond.uk.com

# GroundTuff® Urban

Code	Metric	Imperial	Thickness	Weight	Colour
GP4396BL-8	1100mm x 2400mm	8' x 4'	8mm	24kg	Black
GPCG-2 - 2-way Galvanised Connector	191mm x 15mm	8" x 1"	4.5mm	0.1kg	Galv
GPCG-4 - 4-way Galvanised Connector	191mm x 140mm	8" x 6"	4.5mm	0.2kg	Galv
GPCB-2 - 2-way Standard Connector	180mm x 60mm	7" x 2"	3.5mm	0.1kg	Black
GPCB-2 - 2-way Standard Connector	180mm x 60mm	7" x 2"	3.5mm	0.2kg	Black
GPCB-4 - 4-way Standard Connector	195mm x 195mm	8" x 8"	3mm	0.1kg	Galv
GPCT Heavy Duty Cable Tie Pack of 100	450mm x 9mm	18" x 0.4"		0.8kg	Black

Please note, all Imperial sizes have either been rounded up or down to the nearest whole number

## Technical Specification

Slip resistant:	Excellent slip resistance to level 3
Wear resistant:	Excellent wear resistance to level 3, suitable for heavy footfall
Chemical resistant:	Yes
Connectable:	Connectors are available to create larger widths
Disability friendly:	Yes, the low profile makes it suitable for wheelchair users
Dry area:	Yes
Wet area:	Yes
Heavy area:	Yes
Wheeled area:	Yes
Environment:	Suitable for indoor and outdoor use
Forklifts:	Yes
Impact resistant:	Yes

# GroundTuff® Urban

## Technical Specification

Product testing:	◆ Physical properties
	◆ Density: 0.96 g/cm <sup>3</sup> (ASTM D792)
	◆ Water absorption: <0.10% (ASTM D570)
	◆ Mechanical properties
	◆ Hardness: 65 Shore D (ASTM D2240)
	◆ Tensile strength at yield 23°C: 4000 psi (ASTM D638)
	◆ Tensile modulus: 217000 psi (ASTM D638)
	◆ Elongation at break: >700 % (ASTM D638)
	◆ Flexural strength: 210000 psi (ASTM D790)
	◆ Compressive strength: 1500 psi (ASTM D695)
	◆ Coefficient of friction, dynamic: 0.20-0.29
	◆ Izod impact, notched: 3.5 ft-lb/in (ASTM D256)
	◆ Electrical properties
◆ Surface resistivity: >10 <sup>14</sup> Ω/cm (ASTM D257)	
◆ Dielectric constant: 2.4 1MHz (ASTM D150)	

Sustainability:	REACH (Registration, Evaluation, Authorisation and Restrictions of Chemicals)
-----------------	---

Temperature resistance:	◆ Service temperature: -73°C to 82°C
	◆ Melting point: 131°C (ASTM D3418)
	◆ Vicat softening point: 125°C (ASTM D1525)
	◆ Heat deflection temperature: 77°C (ASTM D648)
	◆ Brittleness Temperature: -75°C (ASTM D746)
	◆ Fire: UL94 HB

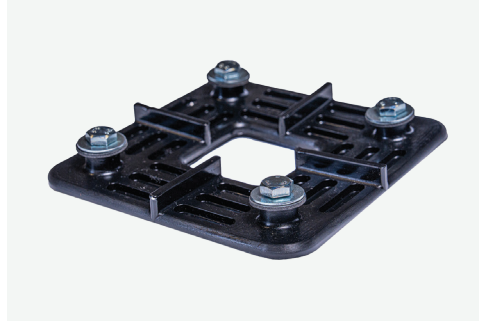
Cleaning:	Using a stiff brush will usually remove most dirt and debris. For more stubborn dirt, a pressure washer can be used
-----------	---

# GroundTuff® Urban

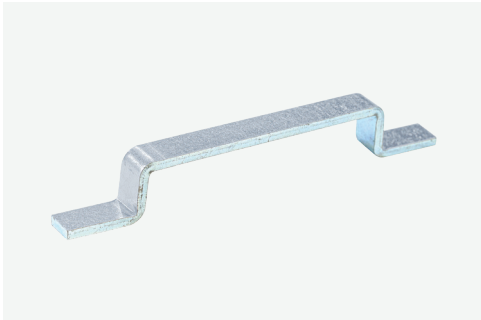
## Compatible Connectors



2-way Standard Connector



4-way Standard Connector



2-way Galvanised Connector



4-way Galvanised Connector



2-way Low Profile Connector



Heavy Duty Cable Ties