

GRP Mini Mesh Grating

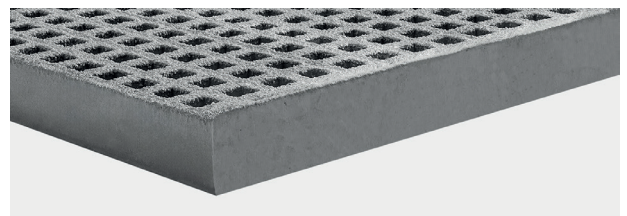
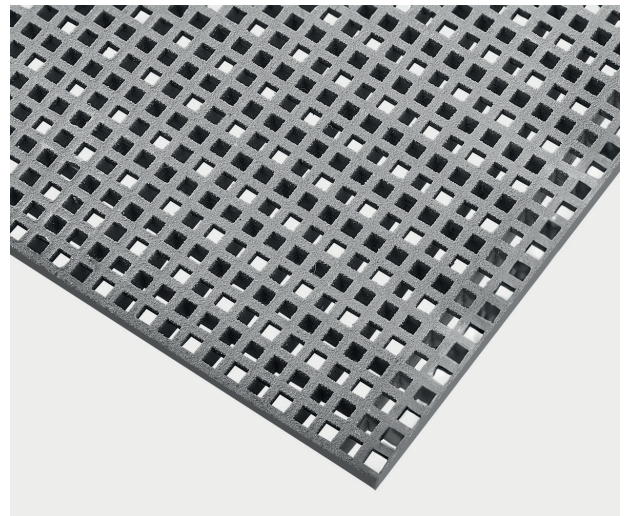
Our GRP Mini Mesh Grating is a specially designed and moulded non-slip composite floor solution, constructed from the highest quality fibreglass making it chemical, rust, and corrosion resistant, and lightweight, whilst also offering longevity and durability. With limited tooling and installation costs, we can offer a vast range of standard length and width sizes, plus our in-house cutting service means we can offer bespoke sizes for that perfect fit.

Optional clips, bolts and clamps are available to purchase if required.

Features

- ◆ **Typical applications:** Perfect solution for platforms, walkways, pontoons, flooring, ramps and covers for industrial or construction sites, chemical and shipping industries as well as offshore oil rigs.
- ◆ **Material:** GRP - Glass reinforced polyester with a resin coated gritted surface.
- ◆ **Cleaning:** Using a stiff brush will normally be sufficient to remove everyday dirt and debris. For more stubborn dirt, wash with warm water and a mild detergent, or a pressure washer on a low-pressure setting can also be used.
- ◆ **Sustainability:** REACH compliant.
- ◆ **Warranty:** Lifetime.

Suitable for
indoor and outdoor use



For more information about this product or, to place an order [click here](#)

| Code | Size | Thickness | Weight | Colour |
|-------------|-------------------------------|-----------|--------|-----------------|
| GR4913-30GY | 4038mm x 1262mm | 30mm | 95kg | Grey |
| MC-19SS | M Clip | | 0.02kg | Stainless Steel |
| JC-38SS | J Clamp | | 0.07kg | Stainless Steel |
| FC45SS | Square Fixing Clip 45mm | | 0.02kg | Stainless Steel |
| FD45SS | Fixing Disc 45mm | | 0.1kg | Stainless Steel |
| M8-35SS | M8 x 34mm Bolt/Nut/Washer Set | | 0.03kg | Stainless Steel |

Please note, cutting tolerance +/- 5mm

Our delivery promise

We guarantee your order will be shipped on time, every time.
That's the Blue Diamond difference.

V11.02.25

Get in touch

+44 (0) 1779 841 899
sales@bluediamond.uk.com
www.bluediamond.uk.com

GRP Mini Mesh Grating

Technical Specification

| | |
|---------------------------------|--|
| Slip resistant: | Excellent slip resistance to level 3 |
| Wear resistant: | Excellent wear resistance to level 3, suitable for heavy footfall |
| Chemical resistant: | Yes |
| Cut to size: | Yes, tolerance +/- 5mm |
| Disability friendly: | Yes, the low profile makes it suitable for wheelchair users |
| Dry area: | Yes |
| Wet area: | Yes |
| Oily and greasy area: | Yes |
| Heavy area: | Yes |
| Wheeled area: | Yes |
| Environment: | Suitable for indoor and outdoor use |
| Flame retardant: | Yes |
| Impact resistant: | Yes |
| Non-conductive (Electrical): | Yes |
| Non-conductive (HV Electrical): | Yes |
| Product testing: | <ul style="list-style-type: none"> ◆ Slip resistance <ul style="list-style-type: none"> ◆ Tested to BS 7976.2 - PTV 'Extremely Low' for wet and dry conditions, PTV 'Low' for oily and greasy conditions ◆ Coefficient of Friction (CoF): Dry 72; Wet 69 and Oil 56 ◆ Fire certificate <ul style="list-style-type: none"> ◆ Standard ISO Resin - BS 476 Part 7 Class 2 ◆ ASTM-E84 Flame Spread 25, Smoke Density 325 ◆ Load certificate <ul style="list-style-type: none"> ◆ BS EN 124 – Class A15 ◆ UV certificate <ul style="list-style-type: none"> ◆ UV Weather ISO 4892-2 Xenon Arc 5000hrs |
| Sustainability: | REACH (Registration, Evaluation, Authorisation and Restrictions of Chemicals) |
| Temperature resistance: | -50°C to +110°C |
| UV Resistant: | Yes |

GRP Mini Mesh Grating

* The differences between Class 1 and Class 2

Both are classifications of the surface spread of flame test (BS 476 part 7). They refer to the degree of flame spread on an ignited panel 900mm x 230mm cut from a laminate. The panel is exposed at right angles to a radiant panel to reproduce the effect of a fire on an adjoining wall or ceiling. It is ignited at the hotter end and allowed to burn for 10 minutes. Flame spread is measured along a line 75mm from the base.

- ◆ Class 1 rating is given if the spread of flame is no greater than 165mm.
- ◆ Class 2 rating is given if the spread of flame is no greater than 215mm in the first 1½ minutes and on overall spread of no more than 455mm.
- ◆ Class 0 rating is a Building Regulations rating and not a British Standard Classification. To attain Class 0, a sample must meet Class 1 for spread of flame and also meet the fire propagation requirements of BS476 Part 6.
- ◆ The Part 6 test was introduced because investigations into the growth of building fires showed that spread of flame was not the only significant factor. Fire propagation (or the amount of heat added to a fire by the energy output of burning materials) was also an important consideration.

Pendulum Slip Testing

Pendulum slip testing was carried out on 17.02.23 and concluded that our GRP Mini Mesh achieved the highest slip resistant classification of 'Extremely Low' pedestrian slip risk for wet and dry conditions and 'Low' for oily/greasy areas.

| Pendulum Test Value (PTV) | Slip Risk |
|---------------------------|---------------|
| 0 - 24 | High |
| 25 - 35 | Moderate |
| 36 - 64 | Low |
| 65+ | Extremely Low |

| Pendulum test results | Coefficient of Friction (CoF) | | |
|-----------------------|-------------------------------|-----|-----|
| | Dry | Wet | Oil |
| Standard Grit | 72 | 69 | 56 |

GRP Mini Mesh Grating

GRP Care and Maintenance

◆ **Cleaning**

Being a highly durable material, using a stiff brush will normally be sufficient to remove everyday dirt and debris, and for more stubborn dirt, wash with warm water and a mild detergent. A pressure washer on a low-pressure setting can also be used, however, care should be taken to ensure that this does not harm the integrity of the fixings being used, likely to be screws and/or adhesive.

We recommend always testing any cleaning method and liquids on a small inconspicuous section before applying to the full area. Any spills should be cleaned immediately in line with the product data sheets and the company's own safety procedures.

◆ **General Routine Maintenance**

The integrity of all fixings should be checked on a regular basis to ensure that the mini mesh remain in a firm and stable position. The gritted surfaces and GRP substrate should also be checked regularly, the frequency would depend on the nature and volume of footfall. As a guide, for high traffic areas a monthly inspection would be advisable.

◆ **Life expectancy**

Our GRP Mini Mesh have a design life of 10+ years, however, the life expectancy of any flooring product will be dictated by the nature and volume of the traffic it receives. Factors such as footwear type and material, weight of individual, pedestrian or non-pedestrian traffic, and any contamination such as dirt or grit are all factors that will influence the life term through natural wear and tear of the GRP.

Installation

◆ **Handling**

Safe handling practices should always be employed. GRP should also be stored face down to prevent damage.

◆ **Cutting**

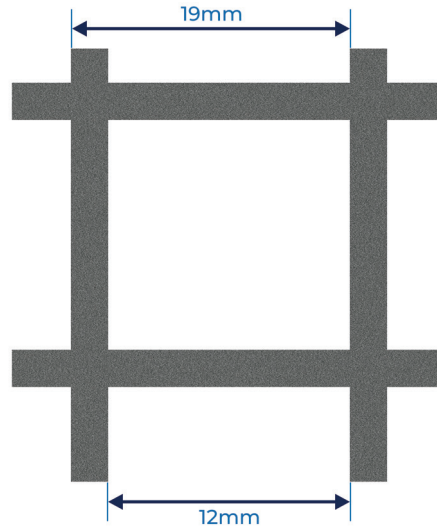
Minor adjustments, small cut outs, can be made with a hacksaw or a jigsaw with a suitable blade. We offer a full in-house cutting service, however, should you wish to cut the mini mesh yourself, this is easily to do by using orbital cutting equipment with either a stone or diamond blade. Cutting should be carried out externally, or where there is dust extraction, or suitable ventilation. Appropriate protective equipment should always be worn.

We're here to help

Should you have any questions about our GRP Mini Mesh, or need advice regarding care, maintenance or installation, we're only a phone call away.

GRP Mini Mesh Grating

Closed Edge Sizes



Load Bearing Specification

Load bearing capacity and panel deflection depend on panel thickness and unsupported span.

| Mini Mesh Grating - Load and Deflection (Kg/metre @ 0.5% Deflection) | | | | | | | | | |
|--|----------------------|---------|---------|-------|-------|--------|--------|--------|--------|
| Panel Thickness (mm) | Span Type of Loading | 250mm | 500mm | 600mm | 750mm | 1000mm | 1200mm | 1500mm | 2000mm |
| 30 | Point Load | 1,170kg | 463kg | 322kg | 206kg | 156kg | 81kg | 38kg | 29kg |
| | UDL | 2,433kg | 1,559kg | 902kg | 462kg | 195kg | 113kg | 58kg | 24.5kg |

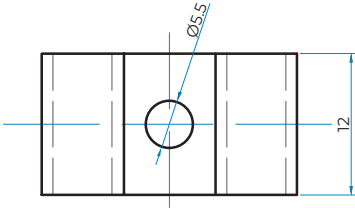
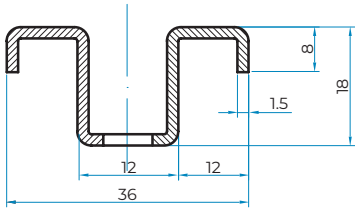


GRP Mini Mesh Grating

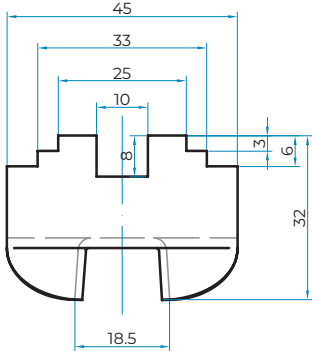
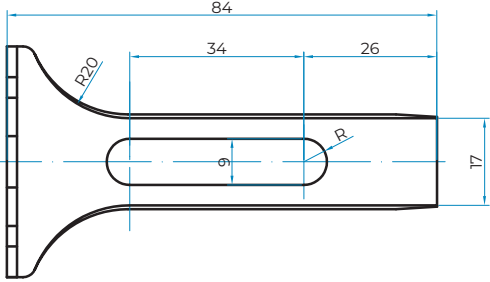
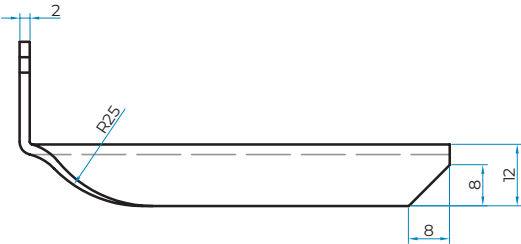
GRP Grating Accessories

GRP grating clips and clamps complement our range of GRP grating and provide best-practice fixing methods for fastening and joining grating panels.

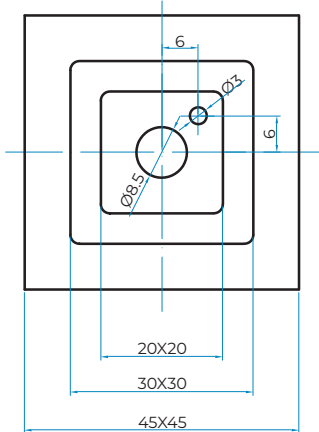
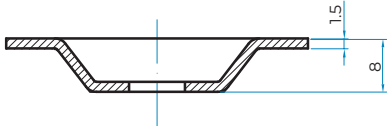
M Clip



J Clamp



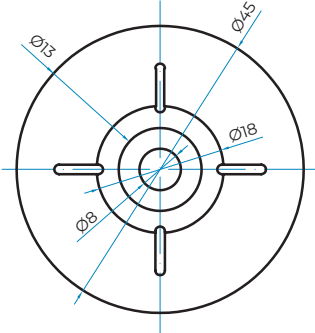
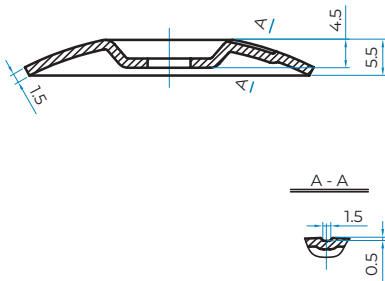
Square Fixing Clip 45mm



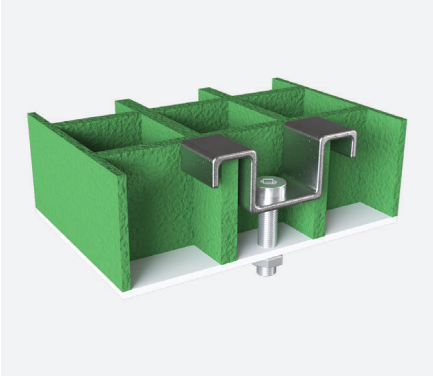


GRP Mini Mesh Grating

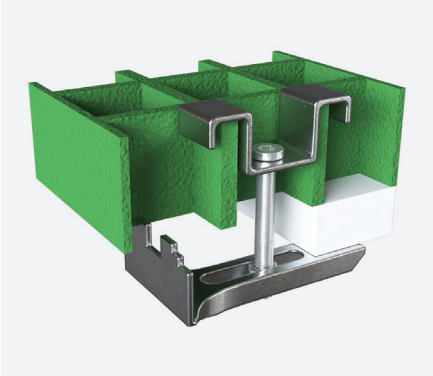
Fixing Disc 45mm



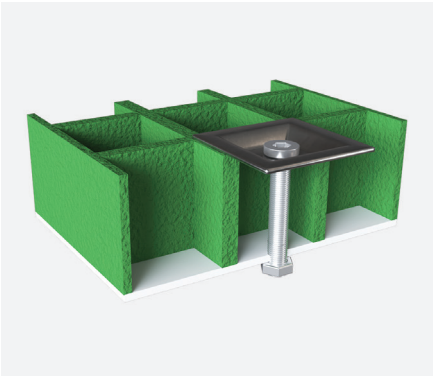
Installation Diagrams



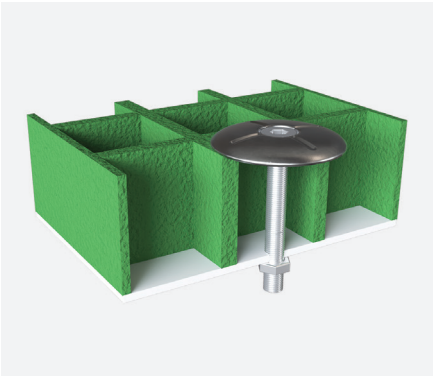
M Clip



J Clamp



Square Fixing Clip



Fixing Disc

GRP Mini Mesh Grating

GRP Chemical Resistance Chart

| Environment | %Conc. | Max.Oper. Temp.F/C. | Environment | %Conc. | Max.Oper. Temp.F/C. |
|----------------------|--------|---------------------|----------------------|--------|---------------------|
| Acetic Acid | 50 | 125/52 | Lithium Chloride | SAT | 150/66 |
| Aluminum Hydroxide | 100 | 160/71 | Magnesium Chloride | ALL | 170/77 |
| Ammonium Chloride | ALL | 170/77 | Magnesium Nitrate | ALL | 140/60 |
| Ammonium Bicarbonate | 15 | 125/52 | Magnesium Sulphate | ALL | 170/77 |
| Ammonium Hydroxide | 28 | N/R | Mercuric Chloride | 100 | 150/66 |
| Ammonium Sulphate | ALL | 170/77 | Mercurous Chloride | ALL | 140/60 |
| Benzene | ALL | N/R | Nickel Chloride | ALL | 170/77 |
| Benzoic Acid | SAT | 150/66 | Nickel Sulphate | ALL | 170/77 |
| Borax | SAT | 170/77 | Nitric Acid | 20 | 70/21 |
| Calcium Carbonate | ALL | 170/77 | Oxalic Acid | ALL | 75/24 |
| Calcium Nitrate | ALL | 180/82 | Perchloric Acid | 10 | N/R |
| Carbon Tetrachloride | 100 | N/R | Phosphoric Acid | 100 | 120/49 |
| Chlorine Dry Gas | - | 140/60 | Potassium Chloride | ALL | 170/77 |
| Chlorine Water | SAT | 80/27 | Potassium Dichromate | ALL | 170/77 |
| Chromic Acid | 5 | 70/21 | Potassium Sulphate | ALL | 170/77 |
| Citric Acid | ALL | 170/77 | Propylene Glycol | ALL | 170/77 |
| Copper Chloride | ALL | 170/77 | Sodium Acetate | ALL | 160/71 |
| Copper Cyanide | ALL | 170/77 | Sodium Bisulphate | ALL | 170/77 |
| Copper Nitrate | ALL | 170/77 | Sodium Bromide | ALL | 170/77 |
| Ethanol | 50 | 75/24 | Sodium Cyanide | ALL | 170/77 |
| Ethylene Glycol | 100 | 90/32 | Sodium Hydroxide | N/R | N/R |
| Ferrous Chloride | ALL | 170/77 | Sodium Nitrate | ALL | 170/77 |
| Formaldehyde | 50 | 75/24 | Sodium Sulphate | ALL | 170/77 |
| Glucose | 100 | 170/77 | Stannic Chloride | ALL | 160/71 |
| Gasoline | 100 | 80/27 | Sulfuric Acid | 25 | 75/24 |
| Glycerine | 100 | 150/66 | Tartaric Acid | ALL | 170/77 |
| Hydrobromic Acid | 50 | 120/49 | Vinegar | 100 | 170/77 |
| Hydrochloric Acid | 37 | 75/24 | Water Distilled | 100 | 170/77 |
| Hydrogen Peroxide | 5 | 100/38 | Zinc Nitrate | ALL | 170/77 |
| Lactic Acid | ALL | 170/77 | Zinc Sulphate | ALL | 170/77 |